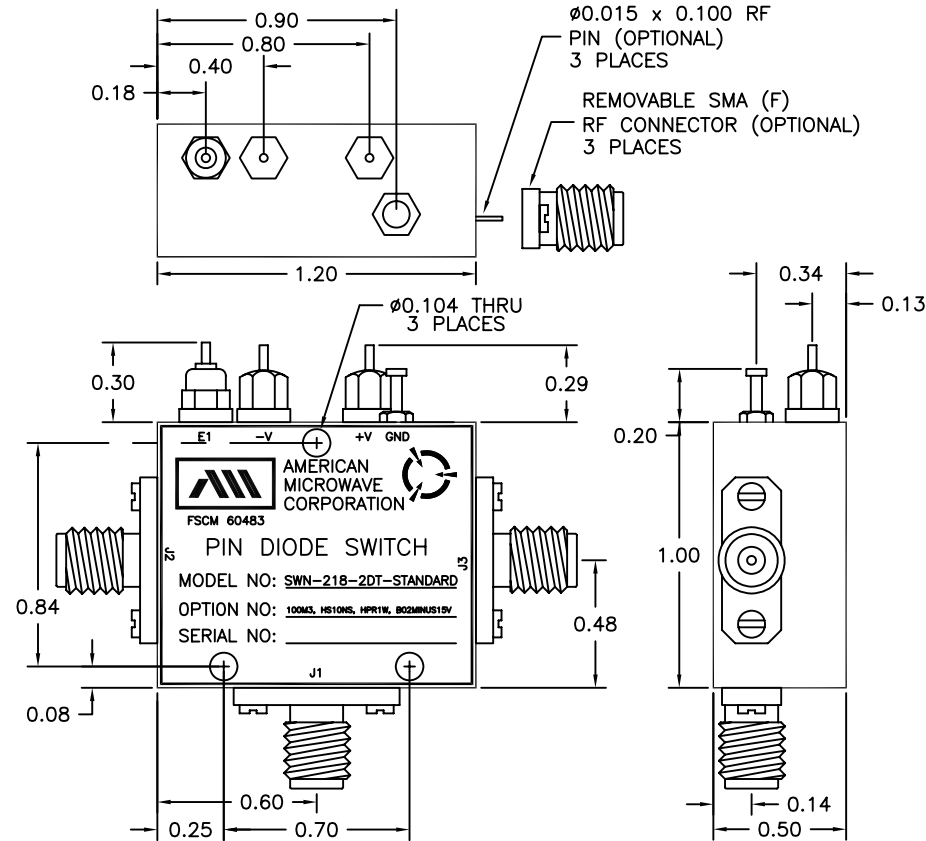


# DESCRIPTION

AMC MODEL SWN-218-2DT-STANDARD OPTION: 100M3, HS10NS, HPR1W, B02MINUS15V IS AN ABSORPTIVE/NON-REFLECTIVE SINGLE POLE TWO THROW SWITCH DESIGNED TO OPERATE AT A 100 MHz TO 3 GHz FREQUENCY RANGE WITH LOW INSERTION LOSS AND HIGH ISOLATION.

# MECHANICAL OUTLINE



ALL DIMENSIONS ARE IN INCHES  
TOLERANCES:  
X.XX  $\pm 0.020$   
X.XXX  $\pm 0.010$

REVISIONS				
ZONE	REV.	DESCRIPTION	DATE	APPROVED
	-	ORIGINAL RELEASE JOB# 609182	10/26/06	

## AMERICAN MICROWAVE CORPORATION

7311-G GROVE ROAD  
FREDERICK, MARYLAND 21704 USA  
TEL: 301-662-4700 FAX: 301-662-4938  
WEBSITE: [www.americanmicrowavecorp.com](http://www.americanmicrowavecorp.com)  
E-MAIL: [sales@americanmicrowavecorp.com](mailto:sales@americanmicrowavecorp.com)  
ISO 9001:2000 CERTIFIED



APPROVALS		DATE	TITLE		
DRAWN <i>WFL</i>		10/26/06	MECHANICAL OUTLINE SWN-218-2DT-STANDARD OPTION: 100M3, HS10NS, HPR1W, B02MINUS15V 100 MHz TO 3 GHz PIN DIODE SWITCH		
CHECKED <i>RA</i>		10/30/06	SIZE	FSCM NO.	DWG NO.
ISSUED			A	60483	100-4427-118
SCALE N:S			REV.		-
SHEET				2 OF 4	

## DESCRIPTION

AMC MODEL SWN-218-2DT-STANDARD OPTION: 100M3, HS10NS, HPR1W, B02MINUS15V IS AN ABSORPTIVE/NON-REFLECTIVE SINGLE POLE TWO THROW SWITCH DESIGNED TO OPERATE AT A 100 MHz TO 3 GHz FREQUENCY RANGE WITH LOW INSERTION LOSS AND HIGH ISOLATION.

## SPECIFICATIONS

- FREQUENCY RANGE: 100 MHz TO 3 GHz
- INSERTION LOSS: 2.5 dB MAXIMUM
- ISOLATION: 60 dB MINIMUM
- VSWR: 2.0:1
- RISE TIME: 5 nSec TYPICAL, 10 nSec MAXIMUM
- FALL TIME: 5 nSec TYPICAL, 10 nSec MAXIMUM
- DELAY ON: 75 nSec TYPICAL, 100 nSec MAXIMUM
- DELAY OFF: 75 nSec TYPICAL, 100 nSec MAXIMUM
- POWER INPUT: 1 WATT CW MAXIMUM
- CONTROL: TTL LOGIC "0" = J1-J2 ON  
TTL LOGIC "1" = J1-J3 ON
- POWER SUPPLY: +5V @ 100 mA MAXIMUM  
-15V @ 75 mA MAXIMUM
- CONNECTORS:  
RF: SMA FEMALE  
CONTROL: SOLDER PIN
- SIZE: 1.20" (L) x 1.00" (W) x 0.50" (H)
- WEIGHT: 1.5 OUNCE TYPICAL

## OPTIONS:

- 100M3: 100 MHz TO 3 GHz
- HS10NS: HIGH SPEED OF 10 nS
- HPR1W: HIGH POWER OF 1 WATT
- B02MINUS15V: -15V POWER SUPPLY

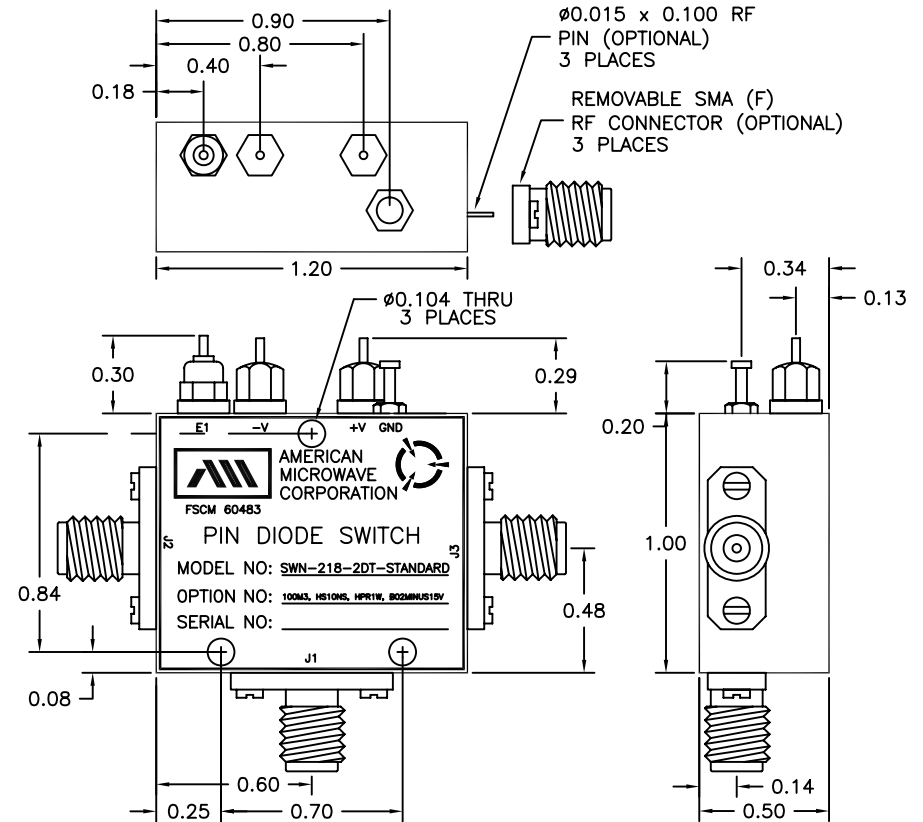
## ENVIRONMENTAL RATINGS:

- TEMPERATURE: -55°C TO +85°C (OPERATING)  
-65°C TO +125°C (STORAGE)
- HUMIDITY: MIL-STD-202F, METHOD 103B COND. B
- SHOCK: MIL-STD-202F, METHOD 213B COND. B
- VIBRATION: MIL-STD-202F, METHOD 204D COND. B
- ALTITUDE: MIL-STD-202F, METHOD 105C COND. B
- TEMPERATURE CYCLE: MIL-STD-202F, METHOD 107D COND. A

NOTE: SPECIFICATIONS WILL VARY OVER OPERATING TEMPERATURE  
NOTE: THE ABOVE SPECIFICATIONS ARE SUBJECT TO CHANGE OR REVISION

ALL DIMENSIONS ARE IN INCHES  
TOLERANCES:  
X.XX ±0.020  
X.XXX ±0.010

REVISIONS				
ZONE	REV.	DESCRIPTION	DATE	APPROVED
	-	ORIGINAL RELEASE JOB# 609182	10/26/06	



## AMERICAN MICROWAVE CORPORATION

7311-G GROVE ROAD  
FREDERICK, MARYLAND 21704 USA  
TEL: 301-662-4700 FAX: 301-662-4938  
WEBSITE: [www.americanmicrowavecorp.com](http://www.americanmicrowavecorp.com)  
E-MAIL: [sales@americanmicrowavecorp.com](mailto:sales@americanmicrowavecorp.com)  
ISO 9001:2000 CERTIFIED



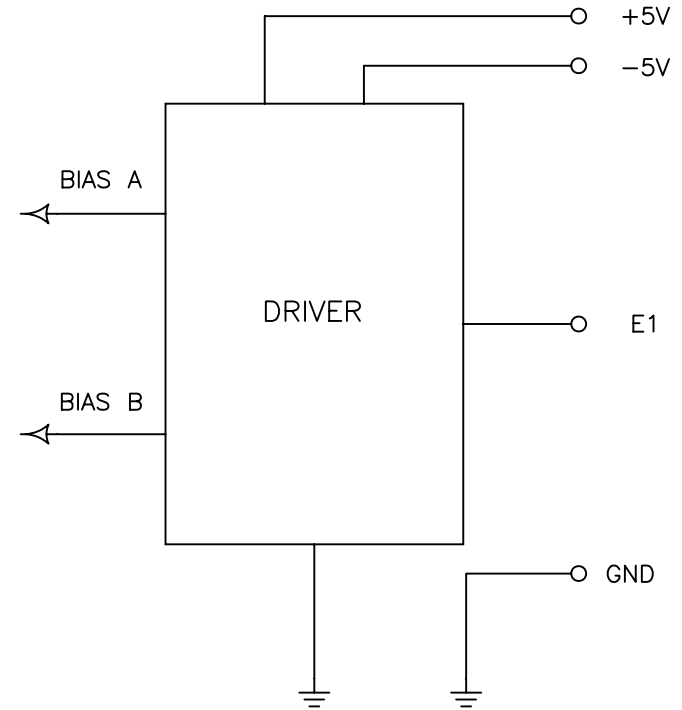
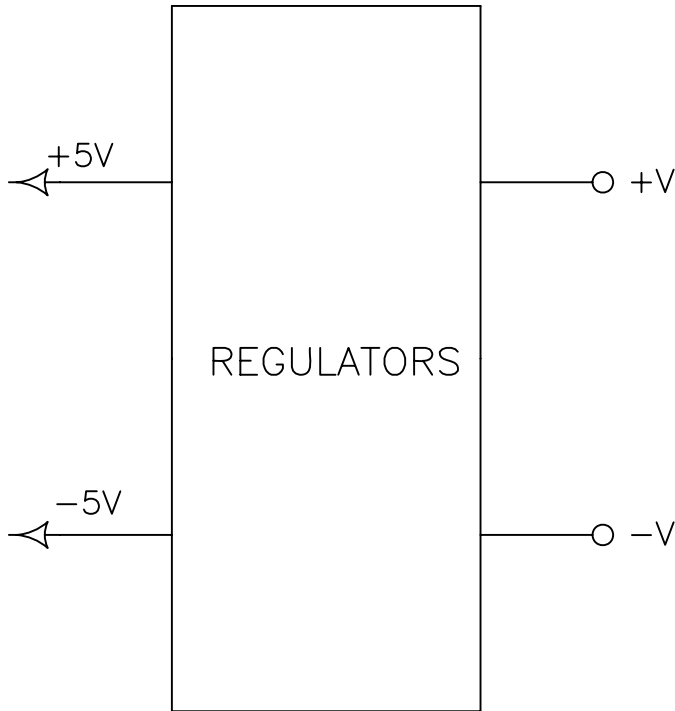
APPROVALS		DATE	TITLE			
DRAWN <i>WLS</i>		10/26/06	PRODUCT FEATURE SWN-218-2DT-STANDARD			
CHECKED <i>RA</i>		10/30/06	OPTION: 100M3, HS10NS, HPR1W, B02MINUS15V 100 MHz TO 3 GHz PIN DIODE SWITCH			
ISSUED			SIZE	FSCM NO.	DWG NO.	REV.
			A	60483	100-4427-118	-
			SCALE	SHEET		
			N:S	1 OF 4		

**DESCRIPTION**

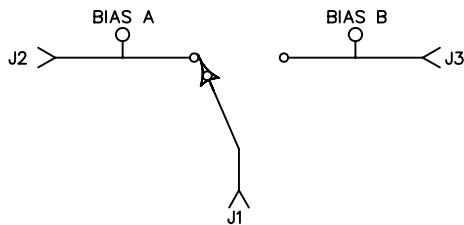
AMC MODEL SWN-218-2DT-STANDARD OPTION: 100M3, HS10NS, HPR1W, B02MINUS15V IS AN ABSORPTIVE/NON-REFLECTIVE SINGLE POLE TWO THROW SWITCH DESIGNED TO OPERATE AT A 100 MHZ TO 3 GHZ FREQUENCY RANGE WITH LOW INSERTION LOSS AND HIGH ISOLATION.

REVISIONS				
ZONE	REV.	DESCRIPTION	DATE	APPROVED
	-	ORIGINAL RELEASE JOB# 609182	10/26/06	

**FUNCTIONAL BLOCK DIAGRAM**



**BLOCK DIAGRAM**



**CONFIDENTIAL AND PROPRIETARY**

**AMERICAN MICROWAVE CORPORATION**

7311-G GROVE ROAD  
 FREDERICK, MARYLAND 21704 USA  
 TEL: 301-662-4700 FAX: 301-662-4938  
 WEBSITE: [www.americanmicrowavecorp.com](http://www.americanmicrowavecorp.com)  
 E-MAIL: [sales@americanmicrowavecorp.com](mailto:sales@americanmicrowavecorp.com)  
 ISO 9001:2000 CERTIFIED



APPROVALS		DATE	TITLE			
DRAWN <i>WFL</i>		10/26/06	FUNCTIONAL BLOCK DIAGRAM SWN-218-2DT-STANDARD			
CHECKED <i>RA</i>		10/30/06	OPTION: 100M3, HS10NS, HPR1W, B02MINUS15V 100 MHZ TO 3 GHZ PIN DIODE SWITCH			
ISSUED			SIZE A	FSCM NO. 60483	DWG NO. 100-4427-118	REV. -
SCALE N:S			SHEET		3 OF 4	